

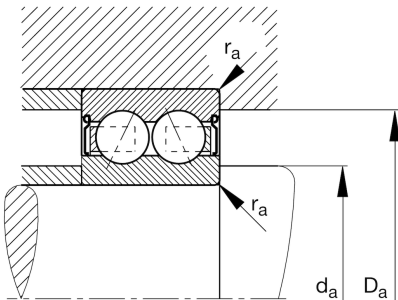
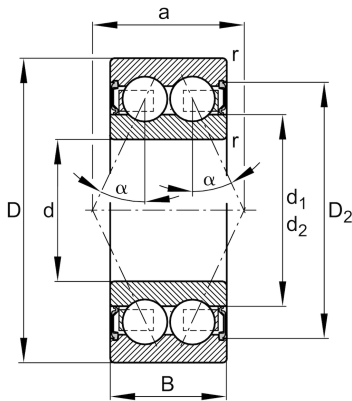
3007-2RS

Angular contact ball bearing

Schaeffler ID:
0008755200000

Angular contact ball bearing 30..-B-2RS-TVH, double row, seals, plastic cage

Technical information



Main Dimensions & Performance Data

d	35 mm	Bore diameter
D	62 mm	Outside diameter
B	20 mm	Width
C_r	24,000 N	Basic dynamic load rating, radial
C_{0r}	19,100 N	Basic static load rating, radial
C_{ur}	1,000 N	Fatigue load limit, radial
n_G	6,400 1/min	Limiting speed
	0.224 kg	Weight

Dimensions

r_{min}	1 mm	Minimum chamfer dimension
D_2	55.3 mm	Caliber diameter outer ring
d_2	40.5 mm	Caliber diameter inner ring
a	30.9 mm	Distance between the apexes of the pressure cones
α	25 °	Contact angle

Mounting dimensions

$d_{a min}$	39.6 mm	Minimum diameter shaft shoulder
$D_{a max}$	57.4 mm	Maximum diameter of housing shoulder
$r_{a max}$	1 mm	Maximum fillet radius

Temperature range

T_{min}	-20 °C	Operating temperature min.
T_{max}	100 °C	Operating temperature max.